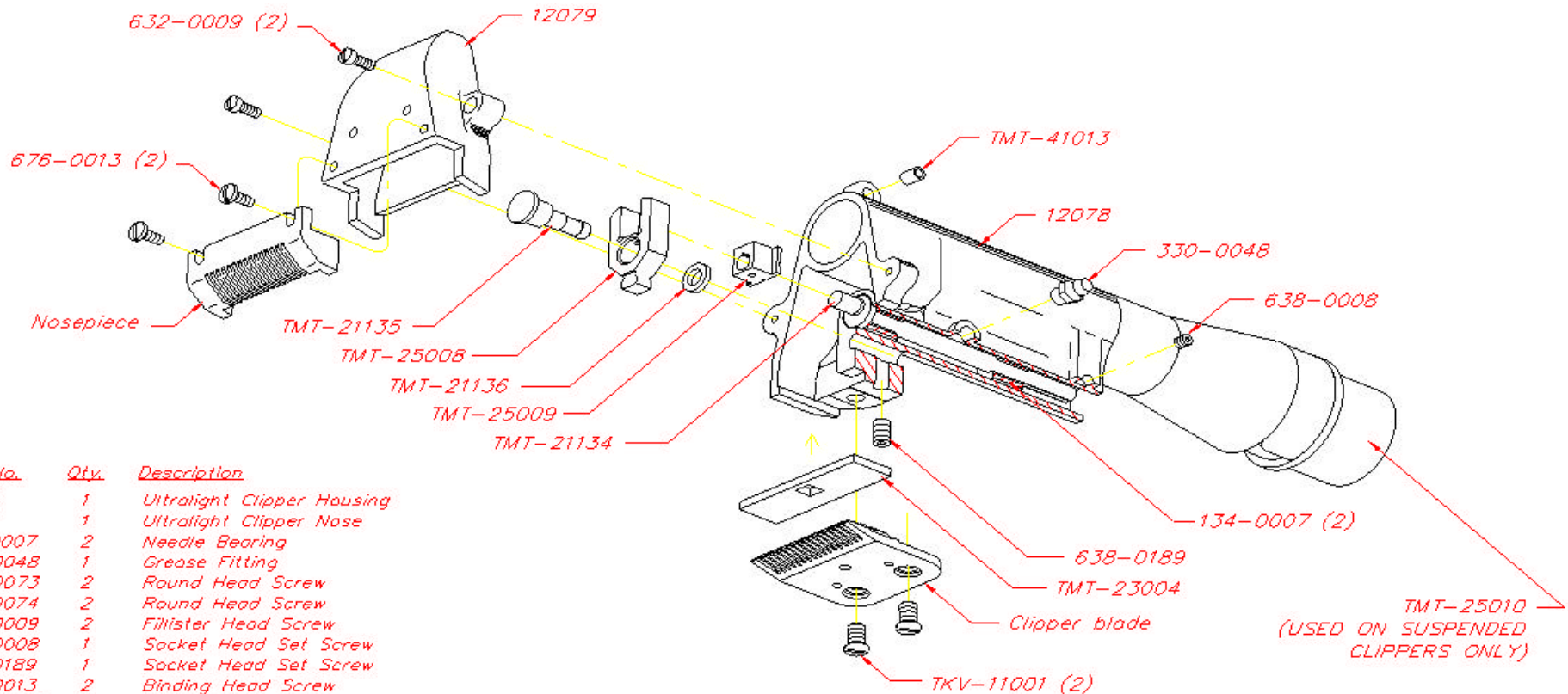


Figure 6 - 12077 Ultralight clipper assembly



| Part No.  | Qty. | Description                                       |
|-----------|------|---|
| 12078     | 1    | Ultralight Clipper Housing                        |
| 12079     | 1    | Ultralight Clipper Nose                           |
| 134-0007  | 2    | Needle Bearing                                    |
| 330-0048  | 1    | Grease Fitting                                    |
| 630-0073  | 2    | Round Head Screw                                  |
| 630-0074  | 2    | Round Head Screw                                  |
| 632-0009  | 2    | Fillister Head Screw                              |
| 638-0008  | 1    | Socket Head Set Screw                             |
| 638-0189  | 1    | Socket Head Set Screw                             |
| 676-0013  | 2    | Binding Head Screw                                |
| TKV-11001 | 2    | Blade Screw                                       |
| TMT-21071 | 1    | Suction Regulator Collar (Trimming Stations Only) |
| TMT-21134 | 1    | Clipper Crankshaft                                |
| TMT-21135 | 1    | Toggle Pin  |
| TMT-21136 | 1    | Toggle Washer                                     |
| TMT-21137 | 1    | Clipper Tube                                      |
| TMT-21138 | 1    | Toggle Pin Bushing                                |
| TMT-23004 | 1    | Clipper Felt                                      |
| TMT-25008 | 1    | Clipper Toggle                                    |
| TMT-25009 | 1    | Eccentric Block                                   |
| TMT-25010 | 1    | Reducing Sleeve (Trimming Stations Only)          |
| TMT-41013 | 1    | Suspension Bushing                                |

The clipper's serial number is stamped into the housing, beneath the blades. The serial number for the trimming unit is engraved on the TrimMaster nameplate

| ECN #                           | REV.    | DESCRIPTION: | DATE:   | BY:        |
|---------------------------------|---------|--------------|---------|------------|
| <b>TRIMMASTER</b>               |         |              |         |            |
| <b>ASSEMBLY</b>                 |         |              |         |            |
| <i>12077 Ultralight clipper</i> |         |              |         |            |
| DWN BY:                         | MATT R. | DATE:        | 2/19/01 | SCALE: NTS |
| DWG. NO.                        | TA-396  | CHKD BY:     |         | FILE<br>A  |